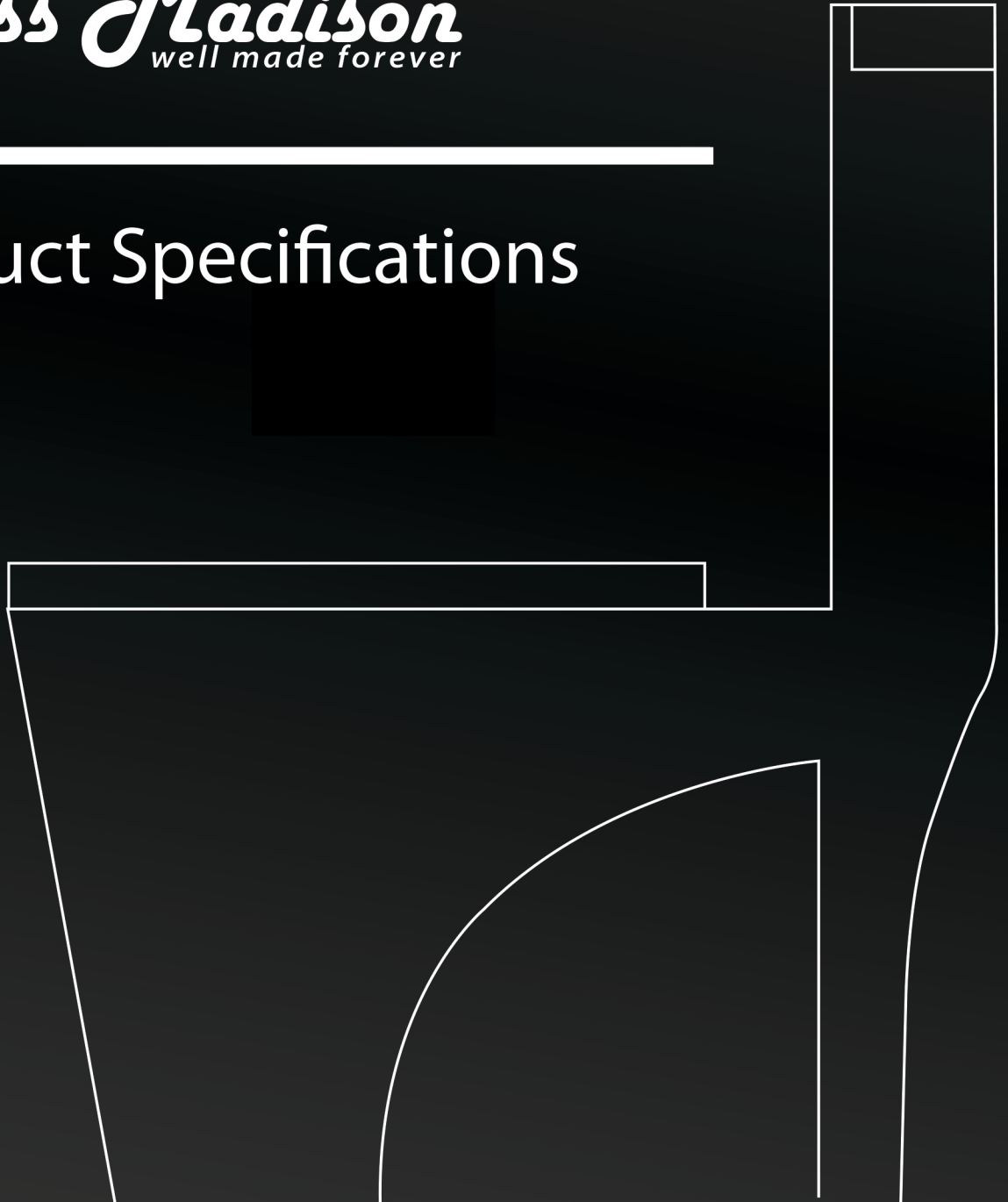


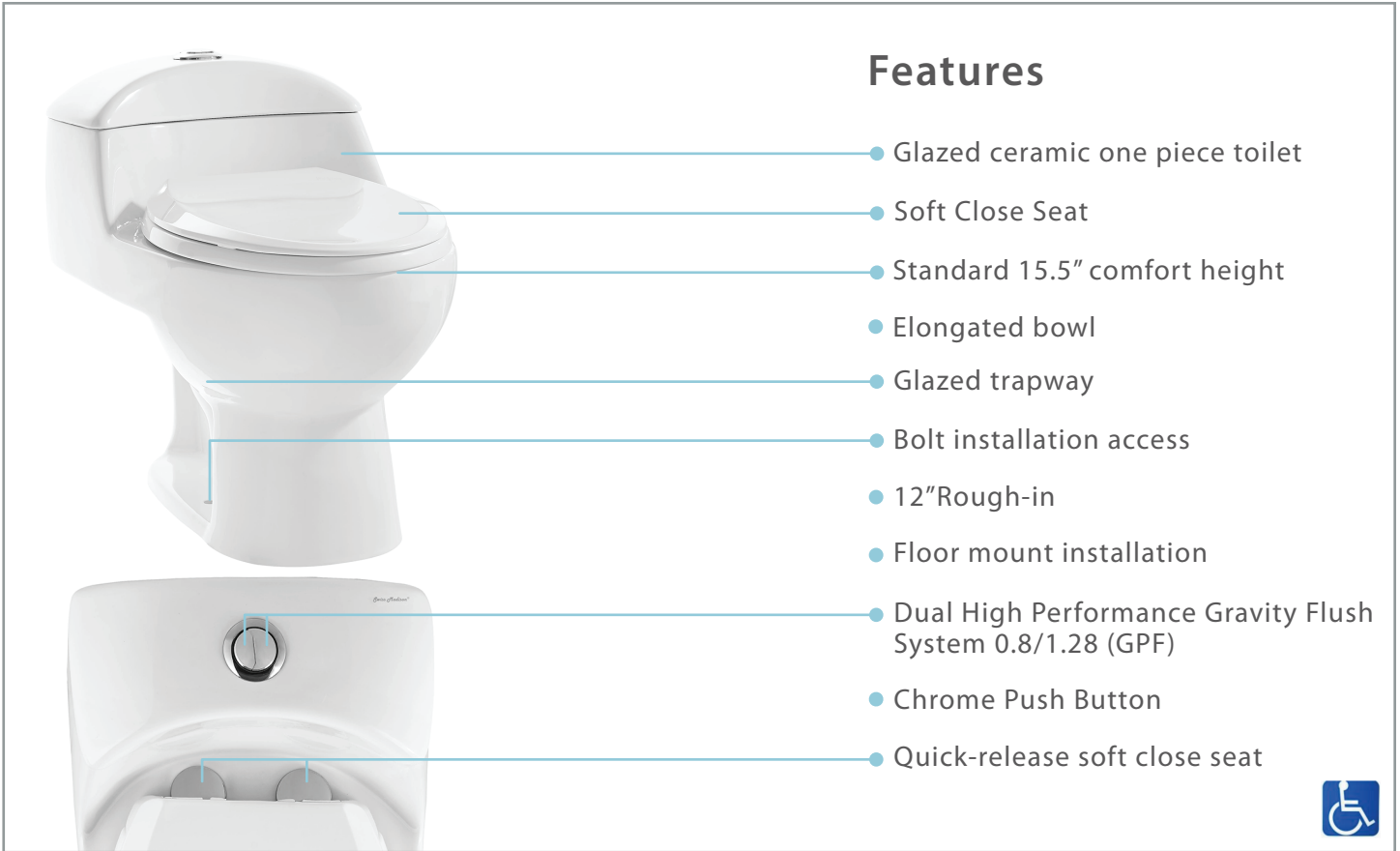
Swiss Madison
well made forever

Product Specifications



Swiss Madison
well made forever

ONE-PIECE TOILETS



Features

- Glazed ceramic one piece toilet
- Soft Close Seat
- Standard 15.5" comfort height
- Elongated bowl
- Glazed trapway
- Bolt installation access
- 12" Rough-in
- Floor mount installation
- Dual High Performance Gravity Flush System 0.8/1.28 (GPF)
- Chrome Push Button
- Quick-release soft close seat



Specifications

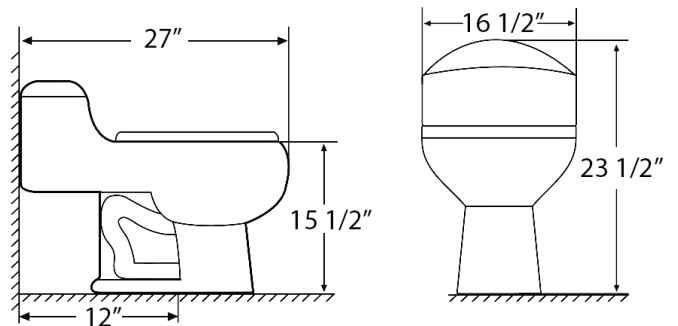
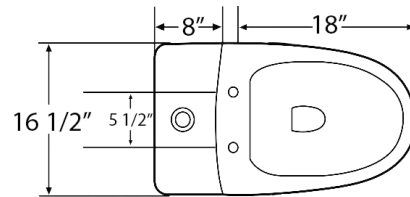
- 0.8/1.28 Gallons Per Flush (GPF)
- Dual Tornato Flush System
- 12" Rough-in
- Floor mount
- Elongated bowl
- 15.5" bowl height
- Glazed ceramic
- One Year Limited Warranty
- Factory flush-tested
- ADA compliant
- **Product Weight:** 91 lbs.
- **L:** 27" x **W:** 16.5" x **H:** 23.5"

Parts

- SM-TPT02 : Fill Valve
- SM-TPT19 : Flush Button
- SM-TPT03 : Flush Valve
- SM-TTL03 : Tank Lid
- SM-QRS03 : Toilet Seat

Included Accessories

- Tank lid with chrome actuator push buttons
- Toilet seat with quick-release slow-close hinges
- Wax ring and toilet bolts





Features

- Glazed ceramic one piece toilet
- Soft Close Seat
- Standard 15.5" comfort height
- Elongated bowl
- Glazed skirted trapway
- Installation access
- 12" Rough-in
- Floor mount installation
- Dual High Performance Gravity Flush System (0.8/1.28 GPF)
- Chrome push button
- Quick-release soft close seat



Specifications

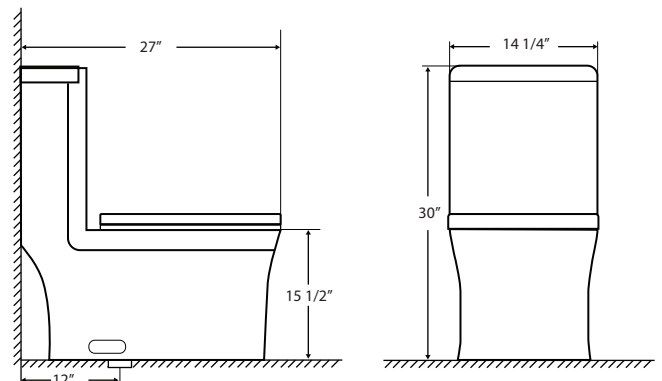
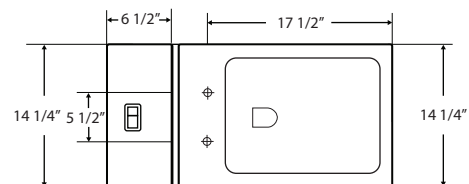
- 0.8/1.28 Gallons Per Flush (GPF)
- Dual High Performance Gravity Flush System
- 12" Rough-in
- Floor mount
- Elongated bowl
- 15.5" Bowl height
- Glazed ceramic
- One Year Limited Warranty
- Factory flush-tested
- ADA compliant
- **Product Weight:** 103 lbs.
- **L:** 27" x **W:** 14.25" x **H:** 30"


Parts

- SM-TPT16 : Fill Valve
- SM-TPT18 : Flush Button
- SM-TPT06 : Flush Valve
- SM-TPT11 : Side Cover Parts
- SM-TTL06 : Tank Lid
- SM-QRS06 : Toilet Seat

Included Accessories


- Side bolt cover parts
- Tank lid with chrome actuator push buttons
- Toilet seat with quick-release slow-close hinges
- Wax ring and toilet bolts





Features

- Glazed ceramic one piece toilet
- Soft Close Seat
- Standard 15.5" comfort height
- Elongated bowl
- Glazed skirted trapway
- Installation access
- 12" Rough-in
- Floor mount installation
- Dual Tornado Flush System
0.8/1.28 Gallons per Flush (GPF)
- Chrome push button
- Quick-release soft close seat



Specifications

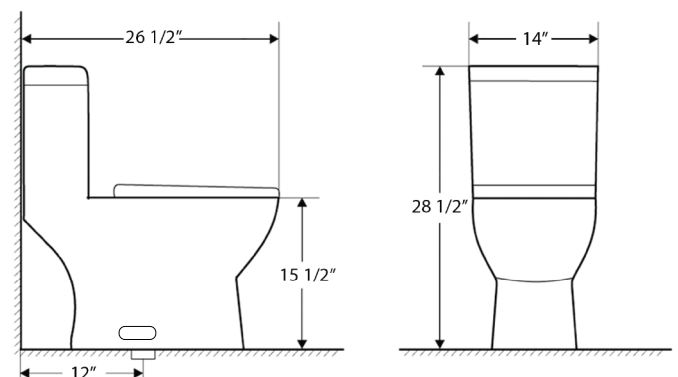
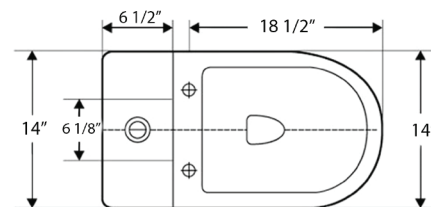
- 0.8/1.28 Gallons Per Flush (GPF)
- Dual Tornado Flush System
- 12" Rough-in
- Floor mount
- Elongated bowl
- 15.5" Bowl height
- Glazed ceramic
- One Year Limited Warranty
- Factory flush-tested
- ADA compliant
- **Product Weight:** 91 lbs.
- **L:** 26.5" x **W:** 14" x **H:** 28.5"

Parts

- SM-TPT09 : Fill Valve
- SM-TPT17 : Flush Button
- SM-TPT12 : Flush Valve
- SM-TPT11 : Side Cover Parts
- SM-TTL12 : Tank Lid
- SM-QRS12 : Toilet Seat

Included Accessories

- Side bolt cover parts
- Tank lid with chrome actuator push buttons
- Toilet seat with quick-release slow-close hinges
- Wax ring and toilet bolts





Features

- Glazed ceramic one piece toilet
- Soft Close Seat
- Standard 15.5" comfort height
- Elongated bowl
- Glazed skirted trapway
- Installation access
- 12" Rough-in
- Floor mount installation
- Dual High Performance Gravity Flush System (0.8/1.28 GPF)
- Chrome push button
- Quick-release soft close seat



Specifications

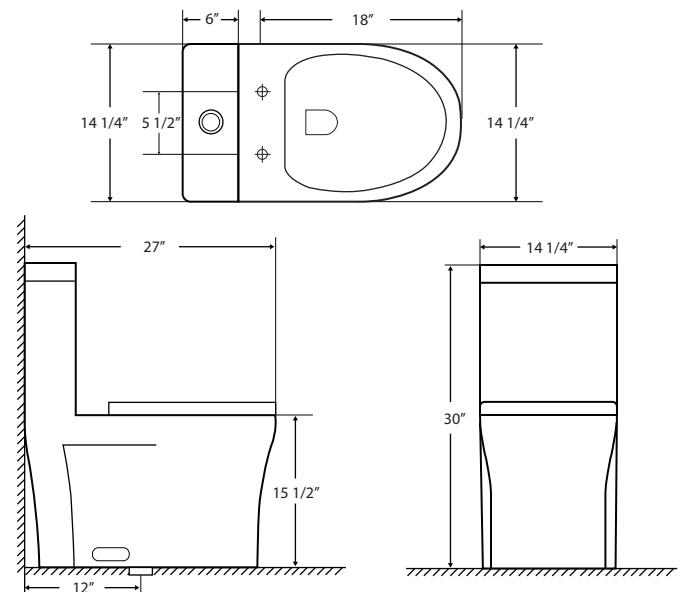
- 0.8/1.28 Gallons Per Flush (GPF)
- Dual High Performance Gravity Flush System
- 12" Rough-in
- Floor mount
- Elongated bowl
- 15.5" bowl height
- Glazed ceramic
- One Year Limited Warranty
- Factory flush-tested
- ADA compliant, c/UPC & UPC certified
- **Product Weight:** 110 lbs.
- **L:** 27" x **W:** 14.25" x **H:** 30"

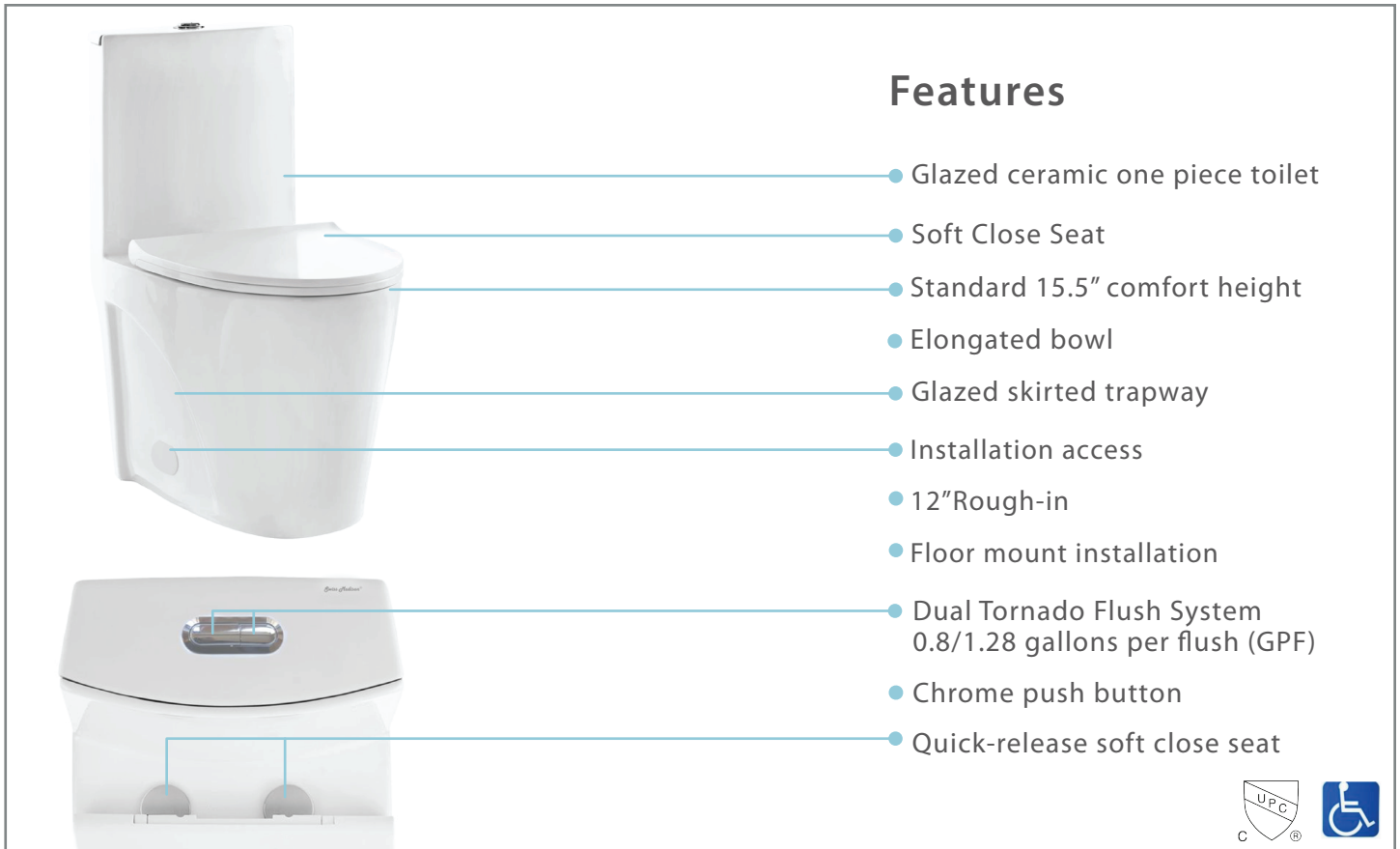
Parts

- SM-TPT18 : Fill Valve
- SM-TPT17 : Flush Button
- SM-TPT08 : Flush Valve
- SM-TPT11 : Side Cover Parts
- SM-TTL08 : Tank Lid
- SM-QRS08 : Toilet Seat

Included Accessories

- Side bolt cover parts
- Tank lid with chrome actuator push buttons
- Toilet seat with quick-release slow-close hinges
- Wax ring and toilet bolts





Features

- Glazed ceramic one piece toilet
- Soft Close Seat
- Standard 15.5" comfort height
- Elongated bowl
- Glazed skirted trapway
- Installation access
- 12" Rough-in
- Floor mount installation
- Dual Tornado Flush System
0.8/1.28 gallons per flush (GPF)
- Chrome push button
- Quick-release soft close seat

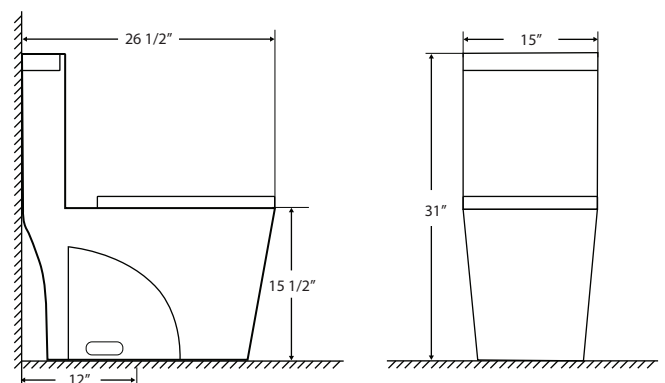
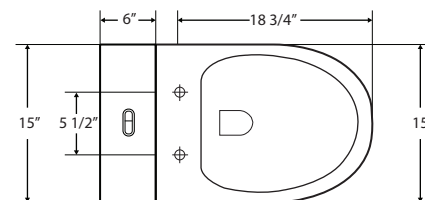


Specifications

- 0.8/1.28 GPF
- Dual Tornado Flush System
- 12" Rough-in
- Floor mount
- Elongated bowl
- 15.5" Bowl height
- Glazed ceramic
- One Year Limited Warranty
- Factory flush-tested
- ADA compliant, c/UPC & UPC certified
- **Product Weight:** 110 lbs.
- **L:** 26.5" x **W:** 15" x **H:** 31"

Included Accessories

- Side bolt cover parts
- Tank lid with chrome actuator push buttons
- Toilet seat with quick-release slow-close hinges
- Wax ring and toilet bolts



Parts

- SM-TPT14 : Fill Valve
- SM-TPT16 : Flush Button
- SM-TPT54 : Flush Valve
- SM-TPT11 : Side Cover Parts
- SM-TTL54 : Tank Lid
- SM-QRS54 : Toilet Seat



Features

- Glazed ceramic one piece toilet
- Soft Close Seat
- Standard 16" comfort height
- Elongated bowl
- Glazed skirted trapway
- Installation access
- 12" Rough-in
- Floor mount installation
- Dual High Performance Gravity Flush System 0.8/1.28 (GPF)
- Chrome push button
- Quick-release soft close seat

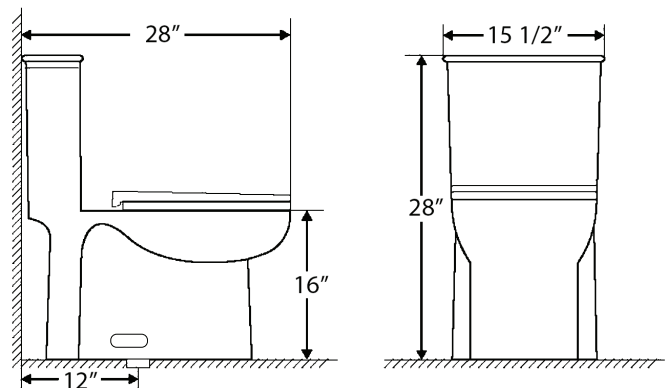
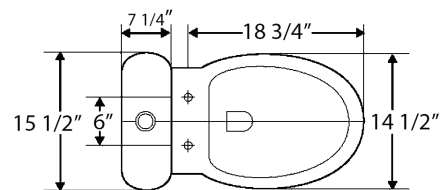


Specifications

- 0.8/1.28 Gallons Per Flush (GPF)
- Dual High Performance Gravity Flush System
- 12" Rough-in
- Floor mount
- Elongated bowl
- 16" Bowl height
- Glazed ceramic
- One Year Limited Warranty
- Factory flush-tested
- ADA compliant
- **Product Weight:** 91 lbs.
- **L:** 28" x **W:** 15.5" x **H:** 28"

Included Accessories

- Side bolt cover parts
- Tank lid with chrome actuator push buttons
- Toilet seat with quick-release slow-close hinges
- Wax ring and toilet bolts



Parts

- SM-TPT20 : Fill Valve
- SM-TPT17 : Flush Button
- SM-TPT05 : Flush Valve
- SM-TPT10 : Side Cover Parts
- SM-TTL05 : Tank Lid
- SM-QRS49 : Toilet Seat

Features

- Glazed ceramic one piece toilet
- Soft Close Seat
- Standard 15" comfort height
- Elongated bowl
- Glazed skirted trapway
- Installation access
- 12" Rough-in
- Floor mount installation
- Dual High Performance Gravity Flush System (0.8/1.28 GPF)
- Chrome Push Button
- Quick-release soft close seat



Specifications

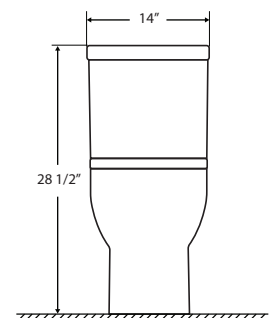
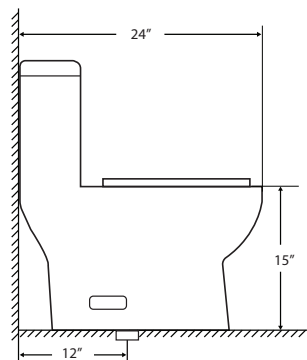
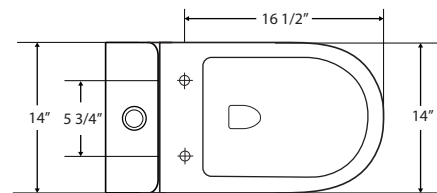
- 0.8/1.28 Gallons Per Flush (GPF)
- Dual High Performance Gravity Flush System
- 12" Rough-in
- Floor mount
- Elongated bowl
- 15" Bowl height
- Glazed ceramic
- One Year Limited Warranty
- Factory flush-tested
- ADA compliant
- **Product Weight:** 91 lbs.
- **L:** 24" x **W:** 14" x **H:** 28.5"

Parts

- SM-TPT13 : Fill Valve
- SM-TPT17 : Flush Button
- SM-TPT57 : Flush Valve
- SM-TPT11 : Side Cover Parts
- SM-TTL57 : Tank Lid
- SM-QRS57 : Toilet Seat

Included Accessories

- Side bolt cover parts
- Tank lid with chrome actuator push buttons
- Toilet seat with quick-release slow-close hinges
- Wax ring and toilet bolts





Features

- Glazed ceramic one piece toilet
- Soft Close Seat
- Standard 15.5" comfort height
- Elongated bowl
- Glazed skirted trapway
- Installation access
- 12" Rough-in
- Floor mount installation
- High Performance Siphon Flush System 1.28 Gallons per Flush (GPF)
- Chrome side lever
- Quick-release soft close seat

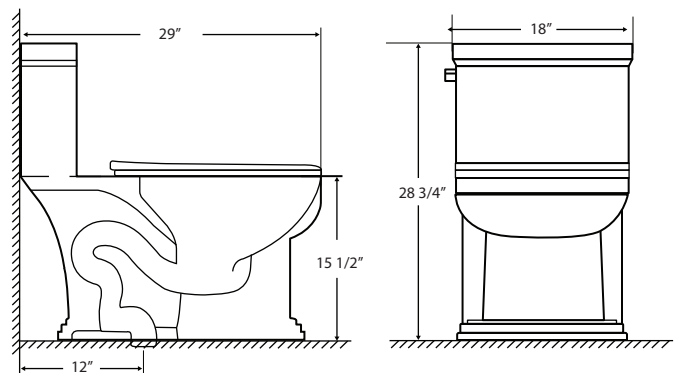
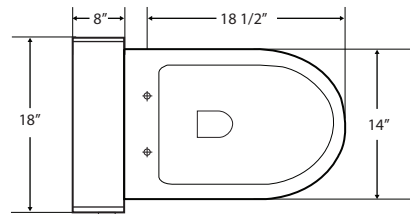


Specifications

- 1.28 Gallons Per Flush (GPF)
- High Performance Siphon Flush System
- 12" Rough-in
- Floor mount
- Elongated bowl
- 15.5" Bowl height
- Glazed ceramic
- One Year Limited Warranty
- Factory flush-tested
- ADA compliant
- **Product Weight:** 109 lbs.
- **L:** 29" x **W:** 18" x **H:** 28.75"

Included Accessories

- Side bolt cover parts
- Tank lid with chrome actuator push buttons
- Toilet seat with quick-release slow-close hinges
- Wax ring and toilet bolts



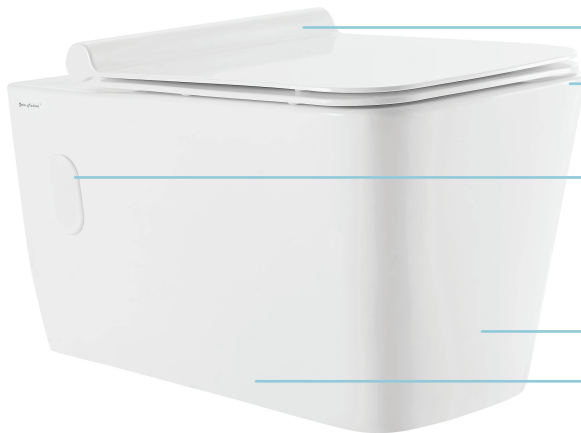
Parts

- SM-TPT21 : Fill Valve
- SM-TPT22 : Flush Valve
- SM-TPT23 : Side Lever
- SM-TTL14 : Tank Lid
- SM-QRS14 : Toilet Seat

Swiss Madison
well made forever

WALL HUNG TOILETS

Features



- Soft Close Seat
- Elongated bowl
- Installation access
- Wall mount installation
- Adjustable mounting height
- Glazed ceramic one piece toilet bowl
- Glazed trapway
- Compatible with most standard actuators and carriers



- Quick-release soft close seat



Specifications

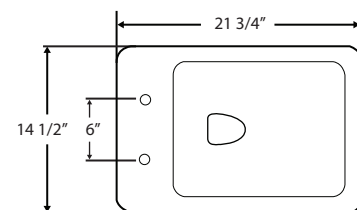
- 0.8/1.6 Gallons Per Flush (GPF)
- High Performance Gravity Flush System
- Wall mount
- Adjustable height 15" to 19"
- Elongated bowl
- Glazed Ceramic
- One Year Limited Warranty
- Factory flush-tested
- ADA compliant
- **Product Weight:** 55 lbs.
- **L:** 22" x **W:** 14 x **H:** 14"

Included Accessories

- Side bolts & cover parts
- Toilet seat with quick-release slow-close hinges

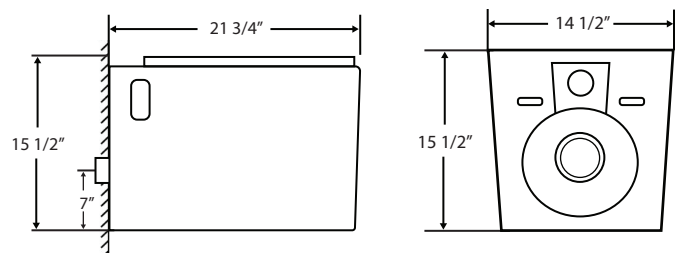
Required Components - sold separately

- Actuator (SM-WC001)
- Wall Carrier (SM-WC424), (SM-WC426)

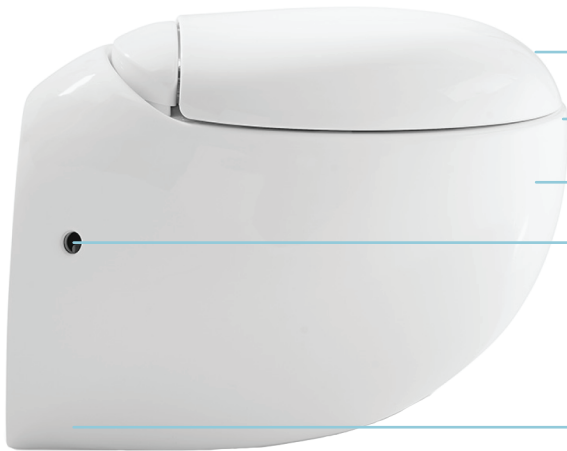


Parts

- SM-WC001 : Actuator
- SM-TPT11 : Side Cover Parts
- SM-QRS42 : Toilet Seat
- SM-WC324 : Wall Carrier 3'x4'
- SM-WC326 : Wall Carrier 3'x6'
- SM-TPT15 : Wall Hung Side Bolts



Features



- Soft Close Seat
- Elongated bowl
- Glazed ceramic one piece toilet bowl
- Installation access
- Wall mount installation
- Adjustable mounting height
- Glazed trapway
- Compatible with most standard actuators and carriers



Specifications

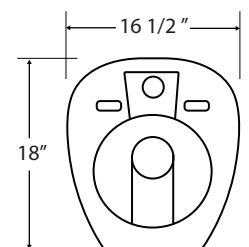
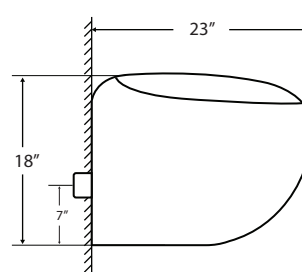
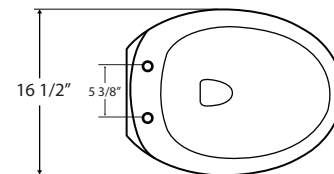
- 0.8/1.6 Gallons Per Flush (GPF)
- High Performance Gravity Flush System
- Wall mount
- Adjustable height 15" to 19"
- Elongated bowl
- Glazed ceramic
- One Year Limited Warranty
- Factory flush-tested
- ADA compliant
- **Product Weight:** 59 lbs.
- **L:** 23" x **W:** 16.5" x **H:** 18"

Included Accessories

- Side bolts
- Soft close toilet seat

Required Components - sold separately

- Actuator (SM-WC001)
- Wall Carrier (SM-WC424), (SM-WC426)



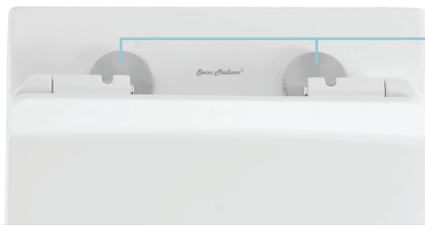
Parts

- SM-WC001 : Actuator
- SM-SCS60 : Soft Close Toilet Seat
- SM-WC424 : Wall Carrier 2'x4'
- SM-WC426 : Wall Carrier 2'x6'
- SM-TPT15 : Wall Hung Side Bolts

Features



- Soft Close Seat
- Elongated bowl
- Installation access
- Wall mount installation
- Adjustable mounting height
- Glazed ceramic one piece toilet bowl
- Glazed trapway
- Compatible with most standard actuators and carriers



- Quick-release soft close seat



Specifications

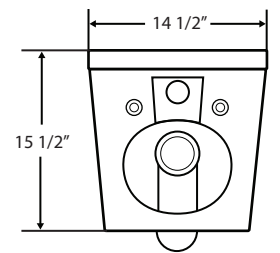
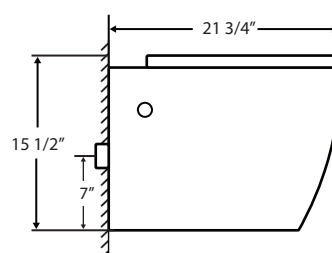
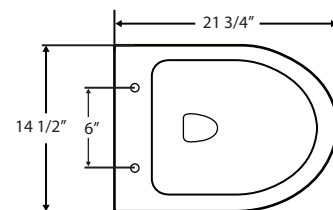
- 0.8/1.6 Gallons Per Flush (GPF)
- Tornado Flush System
- Wall mount
- Adjustable height 15" to 19"
- Elongated bowl
- Glazed ceramic
- One Year Limited Warranty
- Factory flush-tested
- ADA compliant
- **Product Weight:** 61 lbs.
- **L:** 21.75" x **W:** 14.5 x **H:** 15.5"

Included Accessories

- Side bolts & cover parts
- Toilet seat with quick-release slow-close hinges

Required Components - sold separately

- Actuator (SM-WC001) **available in Chrome and White*
- Wall Carrier (SM-WC424), (SM-WC426)



Parts

- SM-WC001 : Actuator **available in Chrome and White*
- SM-QRS49 : Toilet Seat
- SM-WC424 : Wall Carrier 2'x4'
- SM-WC426 : Wall Carrier 2'x6'
- SM-TPT15 : Wall Hung Side Bolts

Swiss Madison
well made forever

TOILET CARRIERS



Features

- Large flush actuator plate opening for easy access to the inner tank and speedy valve
- Dual High Performance Gravity Flush System 0.8/1.6 (GPF)
- Insulated foam tank to prevent sweating & noise
- Durable steel frame
- Compatible with most standard wall hung toilet bowls and actuators
- Adjustable in-wall mount height installation



Specifications

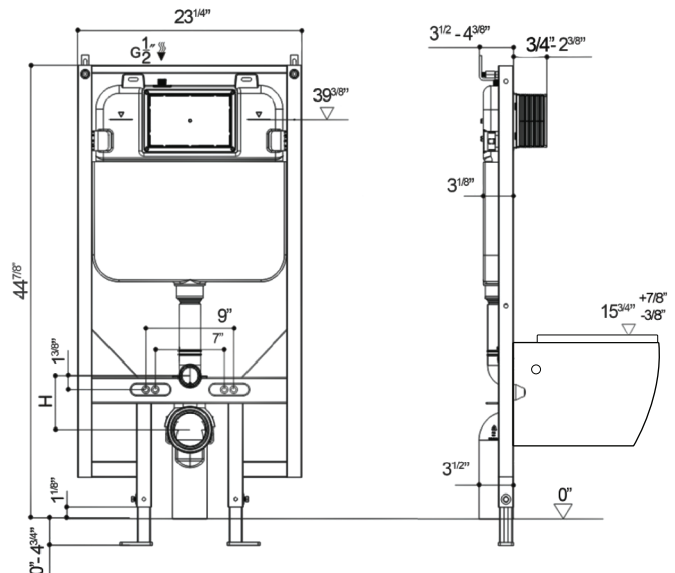
- 0.8/1.6 Gallons Per Flush (GPF)
- Dual High Performance Gravity Flush System
- Adjustable height 15" to 19"
- In-wall Mount
- One Year Limited Warranty
- Factory flush-tested
- ADA compliant, c/UPC & UPC certified
- **Product Weight:** 33 lbs.
- **L:** 23" x **W:** 3.5" x **H:** 45"

Parts

- SM-WC001 : Actuator **available in Chrome and White*
- SM-CPT53 : Black sponge bar silicone oil
- SM-CPT41 : Discharge pipe 2x4
- SM-CPT59 : Eva foam pad
- SM-CPT57 : Expansion bolt
- SM-CPT46 : Mounting box 2x4
- SM-CPT42 : Pipes inlet/outlet 2x4
- SM-CPT51 : Plastic pins
- SM-CPT57 : Thread bolt 2x4
- SM-CPT44 : 4pcs bolt 2x4

Required Components - sold separately

- Actuator (SM-WC001) **available in Chrome and White*
- Wall Hung Toilet Bowl (SM-WT442), (SM-WT449), (SM-WT660)





Features

- Large flush actuator plate opening for easy access to the inner tank and speedy valve
- Dual High Performance Gravity Flush System 0.8/1.6 (GPF)
- Insulated foam tank to prevent sweating & noise
- Durable steel frame
- Compatible with most standard wall hung toilet bowls and actuators
- Adjustable in-wall mount height installation



Specifications

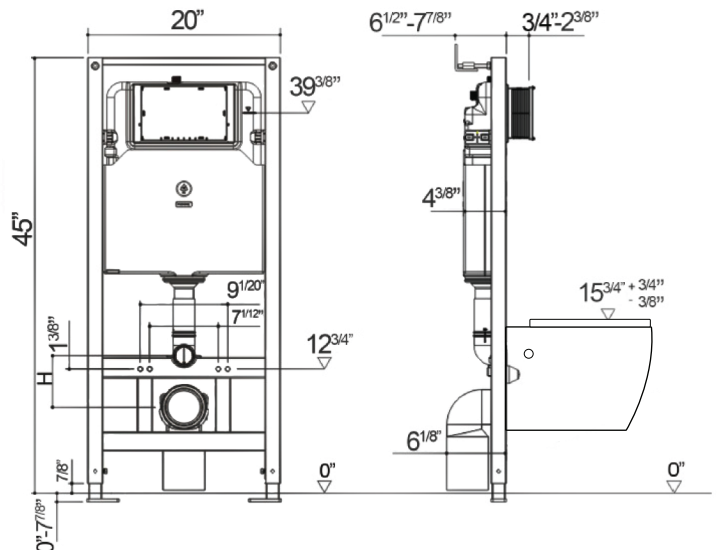
- 0.8/1.6 Gallons Per Flush (GPF)
- Dual High Performance Gravity Flush System
- Adjustable height 15" to 19"
- In-wall Mount
- One Year Limited Warranty
- Factory flush-tested
- ADA compliant, c/UPC & UPC certified
- **Product Weight:** 33 lbs.
- **L:** 20" **W:** 6" **H:** 45"

Parts

- SM-WC001 : Actuator **available in Chrome and White*
- SM-CPT53 : Black sponge bar silicone oil
- SM-CPT61 : Discharge pipe 2x6
- SM-CPT59 : Eva foam pad
- SM-CPT57 : Expansion bolt
- SM-CPT66 : Mounting box 2x6
- SM-CPT62 : Pipes inlet/outlet 2x6
- SM-CPT51 : Plastic pins
- SM-CPT68 : Thread bolt 2x6
- SM-CPT64 : 4pcs bolt 2x6

Required Components - sold separately

- Actuator (SM-WC001) **available in Chrome and White*
- Wall Hung Toilet Bowl (SM-WT442), (SM-WT449), (SM-WT660)



Swiss Madison
well made forever

FREESTANDING BATHTUBS

Features



- Predrilled Overflow Hole
- Chrome Finish Overflow
- Flat-bottom
- Fiberglass Reinforced Acrylic
- Lightweight

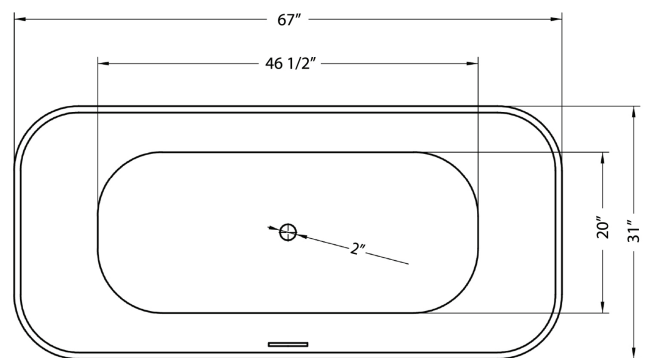


- Pre-drilled Center Drain Hole
- Toe-Tap Chrome Drain



Specifications

- Freestanding Installation
- Flat-bottom
- Fiberglass Reinforced Acrylic
- High-gloss finish
- Center Drain
- 15" soaking depth
- One Year Limited Warranty
- c/UPC & UPC certified
- **Water Capacity:** 71 gal.
- **Product Weight:** 99 lbs.
- **L:** 67" x **W:** 31" x **H:** 23"

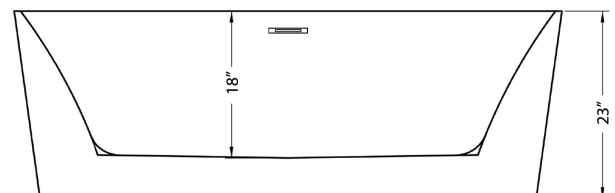


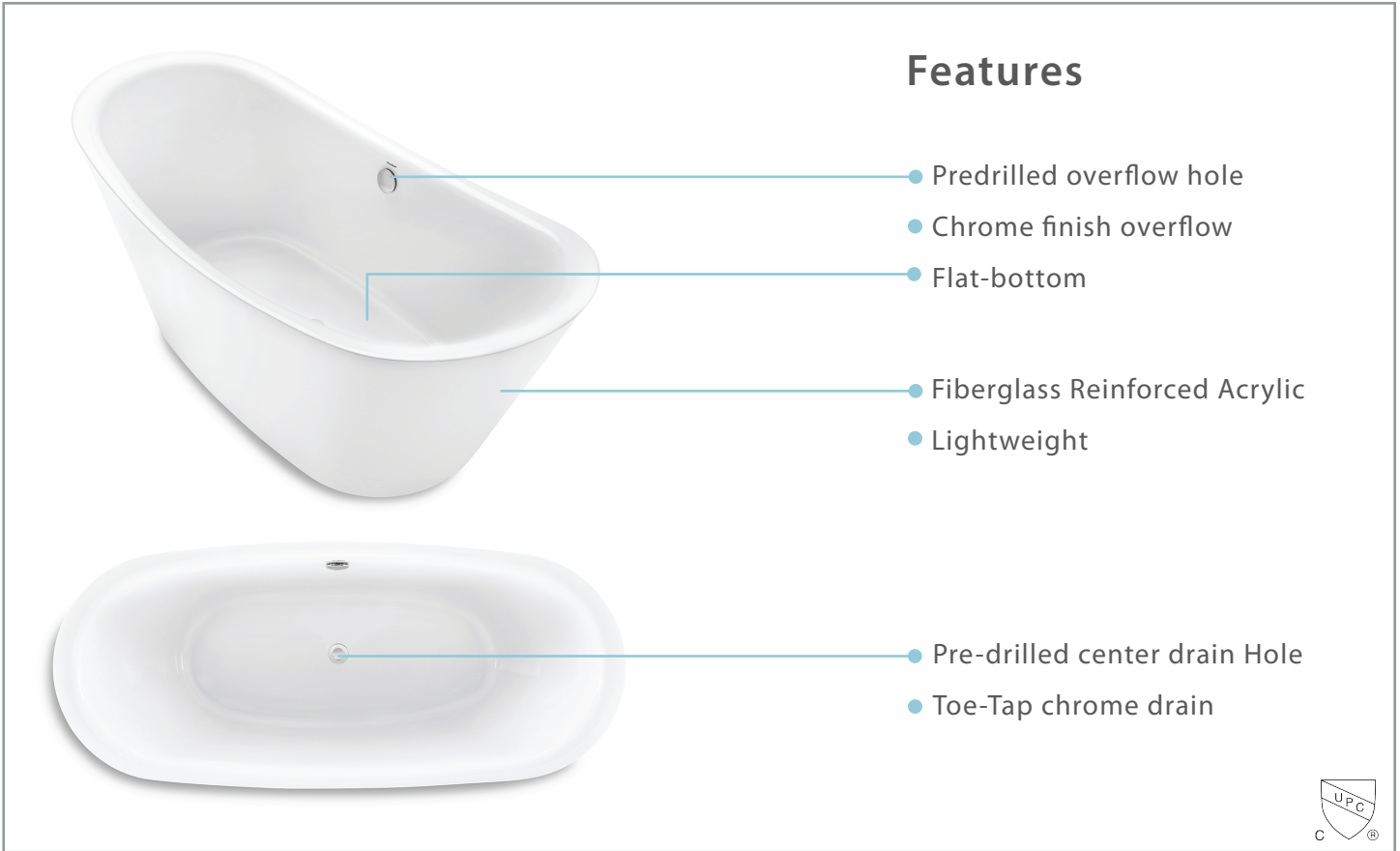
Parts

- SM-PD24R : Toe-Tap drain

Included Accessories

- Chrome Finish Overflow
- Toe-Tap Drain



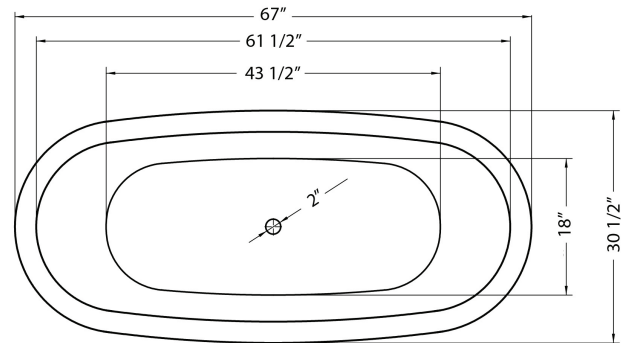


Features

- Pre-drilled overflow hole
- Chrome finish overflow
- Flat-bottom
- Fiberglass Reinforced Acrylic
- Lightweight
- Pre-drilled center drain Hole
- Toe-Tap chrome drain

Specifications

- Freestanding Installation
- Flat-bottom
- Fiberglass Reinforced Acrylic
- High-gloss finish
- Center drain
- 15" soaking depth
- One Year Limited Warranty
- c/UPC & UPC certified
- **Water Capacity:** 59 gal.
- **Product Weight:** 84 lbs.
- **L:** 67" x **W:** 30.5" x **H:** 27"

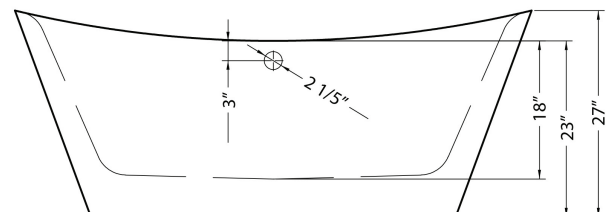


Parts

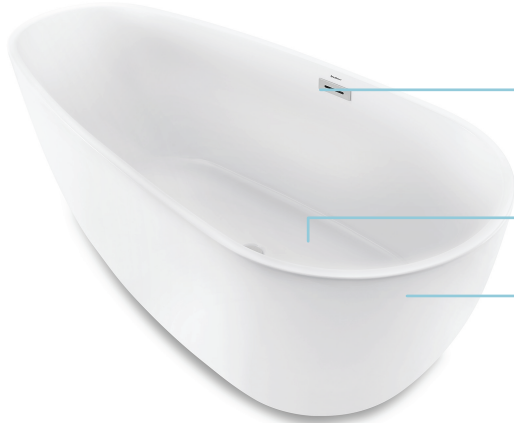
- SM-PD24R : Toe-Tap drain

Included Accessories

- Chrome Finish Overflow
- Toe-Tap Drain



Features



- Predrilled overflow hole
- Chrome finish overflow

- Flat-bottom

- Fiberglass Reinforced Acrylic
- Lightweight

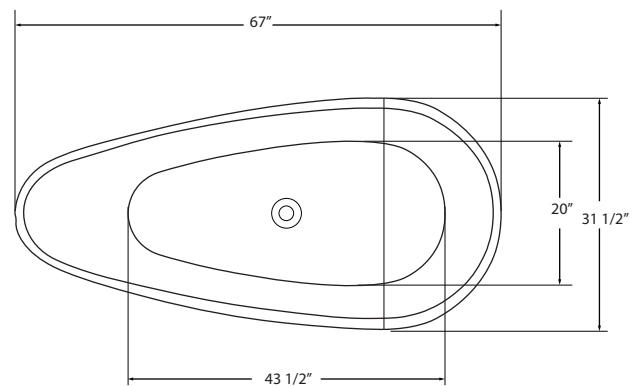


- Pre-drilled side drain hole
- Toe-Tap chrome drain



Specifications

- Freestanding Installation
- Flat-bottom
- Fiberglass Reinforced Acrylic
- High-gloss finish
- Center Drain
- 15.3" soaking depth
- One Year Limited Warranty
- c/UPC & UPC certified
- **Water Capacity:** 59 gal.
- **Product Weight:** 84 lbs.
- **L:** 67" x **W:** 31.5" x **H:** 23"

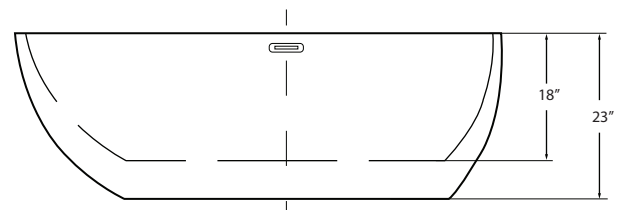


Parts

- SM-PD24R : Toe-Tap drain

Included Accessories

- Chrome Finish Overflow
- Toe-Tap Drain



Features



- Predrilled overflow hole
- Chrome finish overflow
- Flat-bottom

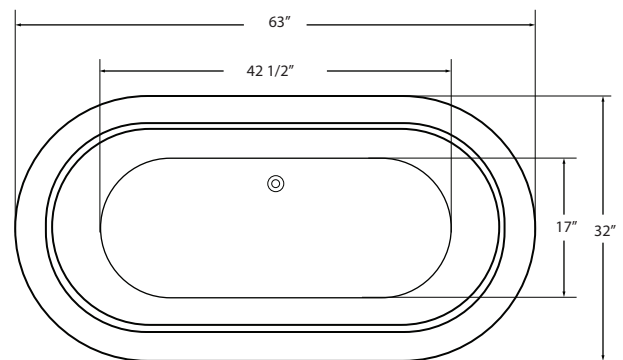


- Fiberglass Reinforced Acrylic
- Lightweight
- Pre-drilled center drain hole
- Toe-Tap chrome drain



Specifications

- Freestanding Installation
- Flat-bottom
- Fiberglass Reinforced Acrylic
- High-gloss finish
- Center Drain
- 15" soaking depth
- One Year Limited Warranty
- c/UPC & UPC certified
- **Water Capacity:** 50 gal.
- **Product Weight:** 99 lbs.
- **L:** 63" x **W:** 32" x **H:** 23"

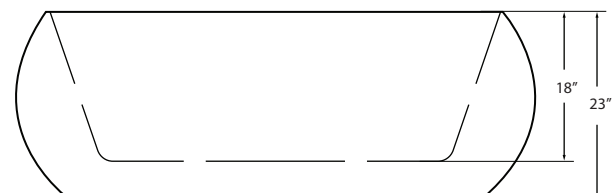


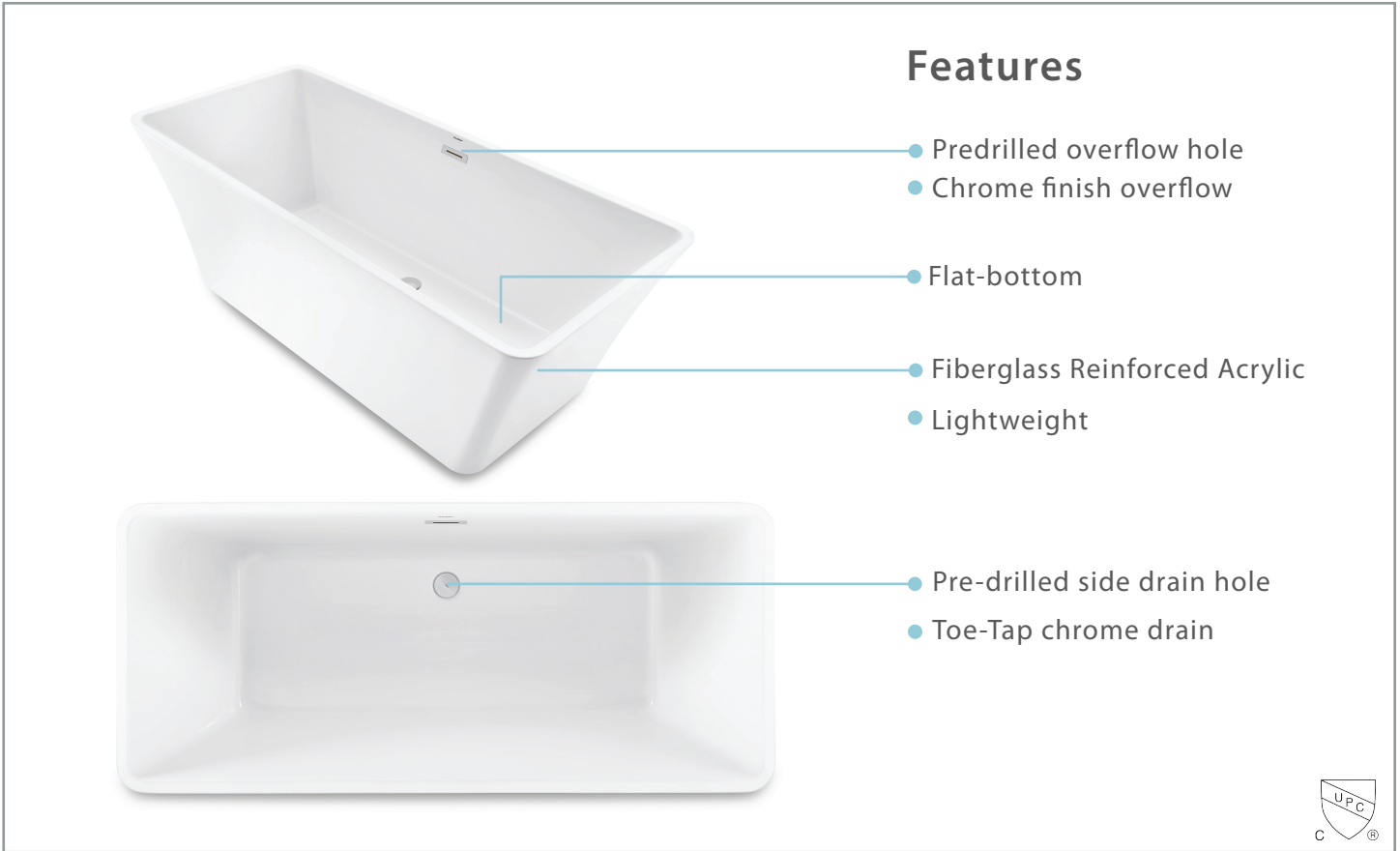
Parts

- SM-PD24R : Toe-Tap drain

Included Accessories

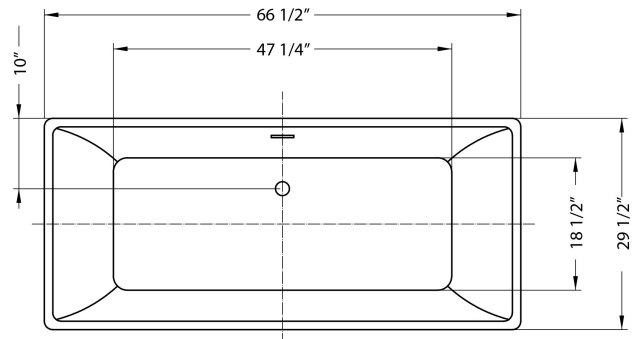
- Chrome Finish Overflow
- Toe-Tap Drain





Specifications

- Freestanding Installation
- Internal lumbar support
- Flat-bottom
- Fiberglass Reinforced Acrylic
- High-gloss finish
- Center Drain
- 15" soaking depth
- One Year Limited Warranty
- c/UPC & UPC certified
- **Water Capacity:** 63 gal.
- **Product Weight:** 103 lbs.
- **L:** 66.5" x **W:** 29.5" x **H:** 23"

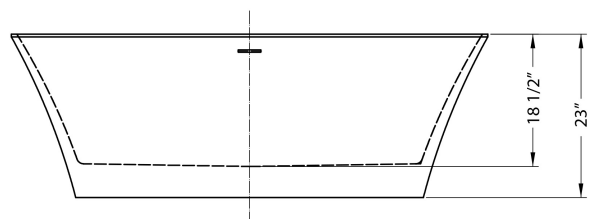


Parts

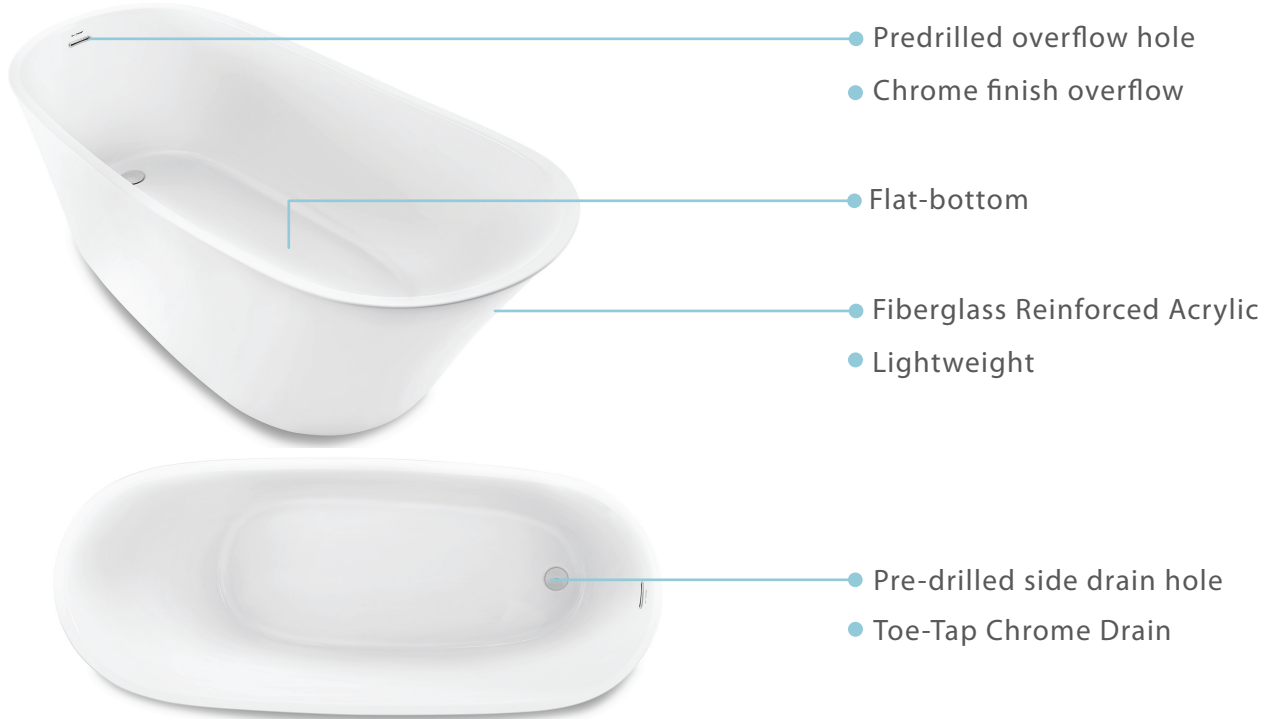
- SM-PD24R : Toe-Tap drain

Included Accessories

- Chrome Finish Overflow
- Toe-Tap Drain



Features



- Pre-drilled overflow hole
- Chrome finish overflow

- Flat-bottom

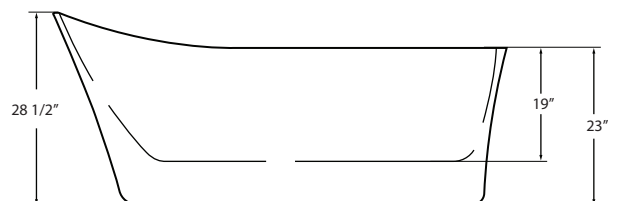
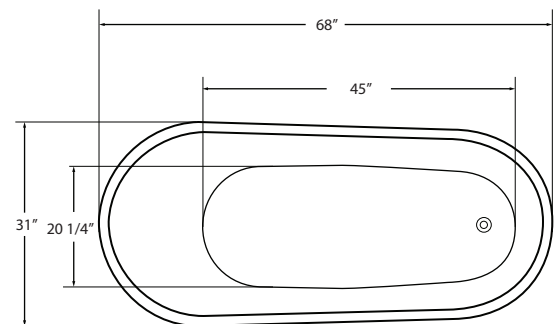
- Fiberglass Reinforced Acrylic
- Lightweight

- Pre-drilled side drain hole
- Toe-Tap Chrome Drain



Specifications

- Freestanding Installation
- Internal lumbar support
- Flat-bottom
- Fiberglass Reinforced Acrylic
- High-gloss finish
- Side Drain
- 15" soaking depth
- One Year Limited Warranty
- c/UPC & UPC certified
- **Water Capacity:** 62 gal.
- **Product Weight:** 92 lbs.
- **L:** 68" x **W:** 31" x **H:** 23"



Parts

- SM-PD24R : Toe-Tap drain

Included Accessories

- Chrome Finish Overflow
- Toe-Tap Drain

Swiss Madison
well made forever

ALCOVE BATHTUBS

Features

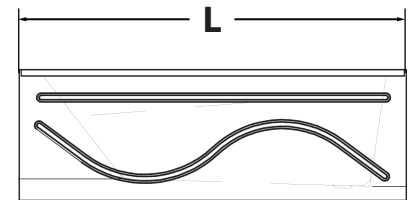
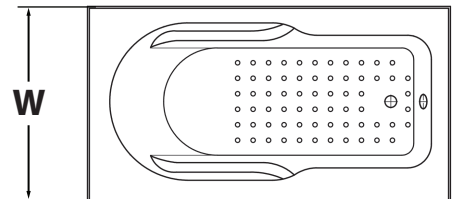
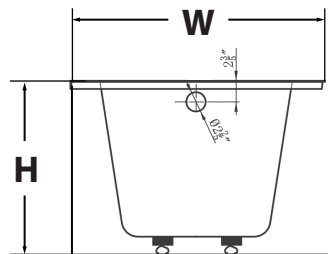


- 3-sided integral tile flange
- Front apron return
- Fiberglass Reinforced Acrylic
- Lightweight
- Armrest
- Pre-drilled side drain & overflow Hole
- Safeguard slip-resistant flat-bottom
- Available in Left or Right drain in multiple sizes



Specifications

- Alcove Installation
- Adjustable feet for ease of leveling
- Lumbar support & armrest
- Safeguard slip-resistant flat-bottom
- Fiberglass Reinforced Acrylic
- High-gloss finish
- One Year Limited Warranty
- c/UPC & UPC certified



Parts

- SM-PD24R : Toe-Tap drain

Drain Location	Model SKU	L x W x H	Product Weight	Water Capacity	Soaking Depth
Left Hand Drain	SM-AB545	60" x 30" x 22"	70 lbs.	62 gal.	15.5"
Right Hand Drain	SM-AB546	60" x 30" x 22"	70 lbs.	62 gal.	15.5"

Indicate Model



Features

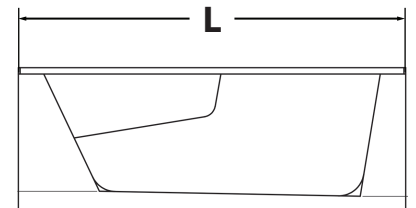
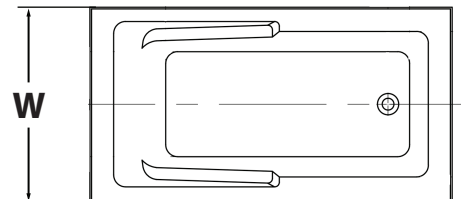
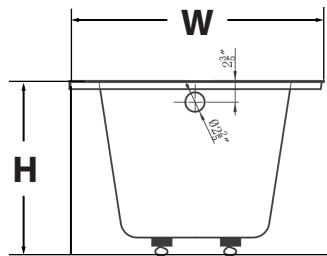


- 3-sided Integral tile flange
- Front apron return
- Fiberglass Reinforced Acrylic
- Lightweight
- Armrest
- Pre-drilled side drain & overflow hole
- Safeguard slip-resistant flat-bottom
- Available in Left or Right drain in multiple sizes



Specifications

- Alcove Installation
- Adjustable feet for ease of leveling
- Lumbar support & armrest
- Safeguard slip-resistant flat-bottom
- Fiberglass Reinforced Acrylic
- High-gloss finish
- One Year Limited Warranty
- c/UPC & UPC certified



Parts

- SM-PD24R : Toe-Tap drain

Drain Location	Model SKU	L x W x H	Product Weight	Water Capacity	Soaking Depth
Left Hand Drain	SM-AB541	60" x 30" x 22"	68 lbs.	62 gal.	15.5"
	SM-AB543	60" x 32" x 22"	70 lbs.	65 gal.	15.5"
	SM-AB549	54" x 30" x 21.5"	62 lbs.	56 gal.	15"
Right Hand Drain	SM-AB540	60" x 30" x 22"	68 lbs.	62 gal.	15.5"
	SM-AB542	60" x 32" x 22"	70 lbs.	65 gal.	15.5"
	SM-AB550	54" x 30" x 21.5"	62 lbs.	56 gal.	15"

Indicate Model

Swiss Madison
well made forever

DROP-IN BATHTUBS

Features



- 3-sided integral tile flange
- Front apron return
- Fiberglass Reinforced Acrylic
- Lightweight
- Adjustable feet for ease of leveling

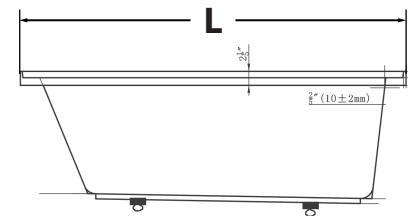
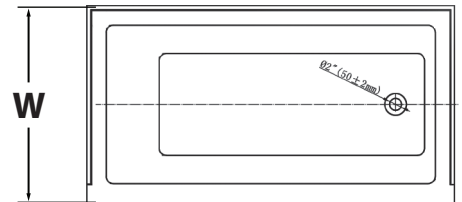
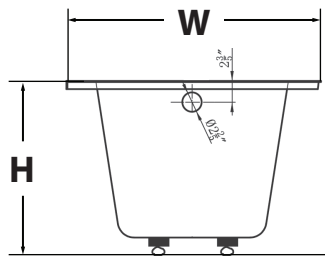


- Pre-drilled side drain & overflow Hole
- Flat-bottom
- Available in Left or Right drain in multiple sizes



Specifications

- Drop-in Installation
- Adjustable feet for ease of leveling
- Lumbar support
- Flat-bottom
- Fiberglass Reinforced Acrylic
- High-gloss finish
- 16" soaking depth
- One Year Limited Warranty



Parts

- SM-PD24R : Toe-Tap drain

Drain Location	Model SKU	L x W x H	Product Weight	Water Capacity
Left Hand Drain	SM-DB559	60" x 30" x 20"	66 lbs.	66 gal.
	SM-DB563	60" x 32" x 20"	68 lbs.	68 gal.
	SM-DB565	66" x 32" x 20"	73 lbs.	73 gal.
Right Hand Drain	SM-DB560	60" x 30" x 20"	66 lbs.	66 gal.
	SM-DB564	60" x 32" x 20"	68 lbs.	68 gal.
	SM-DB566	66" x 32" x 20"	73 lbs.	73 gal.

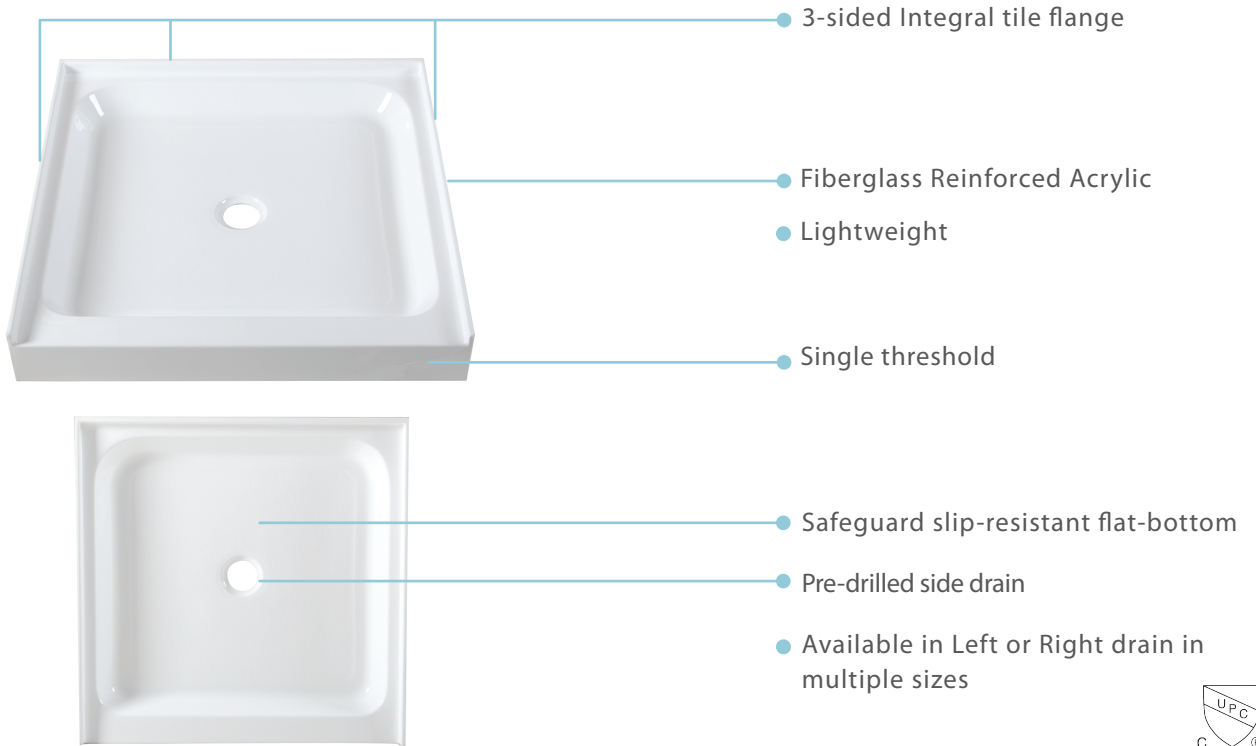
Indicate Model



Swiss Madison
well made forever

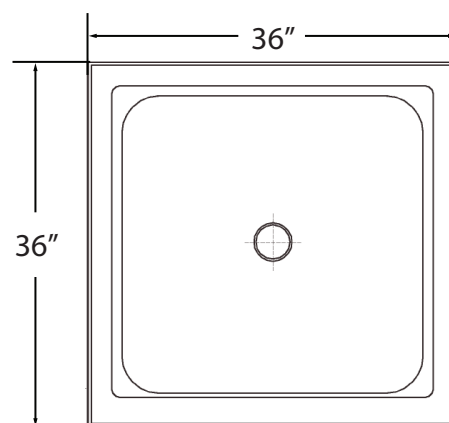
SHOWER BASES

Features



Specifications

- Adjustable feet for ease of leveling
- Fiberglass Reinforced Acrylic
- High-gloss finish
- Center Drain
- One Year Limited Warranty
- c/UPC & UPC certified
- **Product Weight:** 44 lbs.
- **L:** 36" x **W:** 36" x **H:** 5.5"



Features

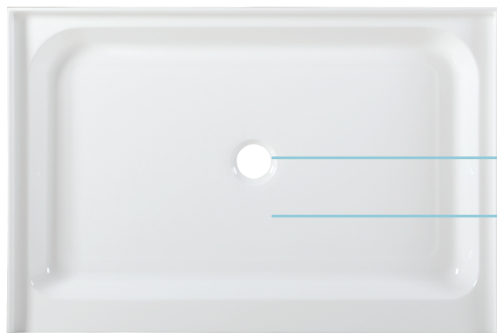


• 3-sided Integral tile flange

• Fiberglass Reinforced Acrylic

• Lightweight

• Single threshold



• Pre-drilled side drain

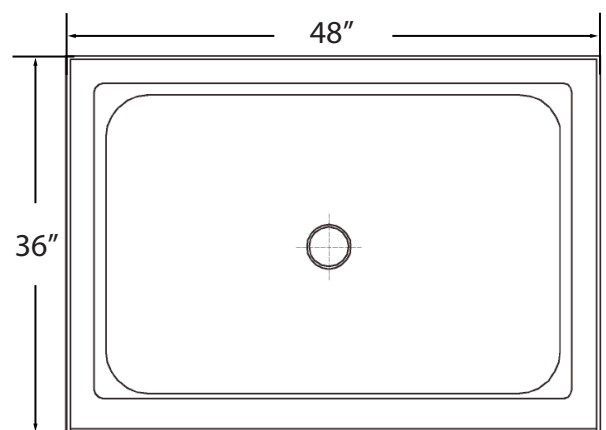
• Safeguard slip-resistant flat-bottom

• Available in Left or Right drain in multiple sizes



Specifications

- Adjustable feet for ease of leveling
- Fiberglass Reinforced Acrylic
- High-gloss finish
- Center Drain
- One Year Limited Warranty
- c/UPC & UPC certified
- **Product Weight:** 44 lbs.
- **L:** 48" x **W:** 36" x **H:** 5.5"



Features



• 3-sided Integral tile flange

• Fiberglass Reinforced Acrylic

• Lightweight

• Single threshold



• Pre-drilled side drain

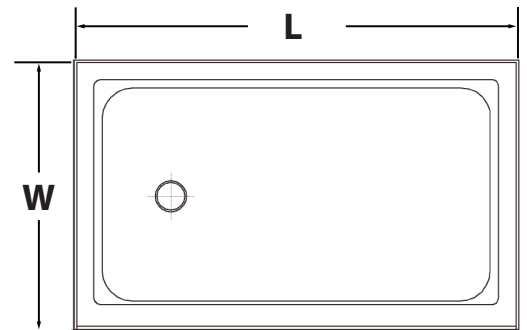
• Safeguard slip-resistant flat-bottom

• Available in Left or Right drain in multiple sizes



Specifications

- Adjustable feet for ease of leveling
- Fiberglass Reinforced Acrylic
- High-gloss finish
- One Year Limited Warranty
- c/UPC & UPC certified



Drain Location	Model SKU	L x W x H	Product Weight
Left Hand Drain	SM-SB513	60" x 36" x 5.5"	55 lbs.
	SM-SB515	60" x 32" x 5.5"	49 lbs.
Right Hand Drain	SM-SB512	60" x 36" x 5.5"	55 lbs.
	SM-SB514	60" x 32" x 5.5"	49 lbs.

Indicate Model





ONE YEAR LIMITED WARRANTY

1-434-MADISON

(623-4766)

19 Stulds Rd., Dayton, NJ 08810

www.swissmadison.com

Swiss Madison® products are made with quality materials and excellent craftsmanship to provide the customers a long lasting product. In the case of any defects in materials or craftsmanship under regular use were inspected in the first year of purchase, Swiss Madison® will provide replacement parts at no charge, or at its option, replace any product or part of the product that is deemed defective, under normal installation, use, service and maintenance. This warranty applies only to the original purchaser. Proof of purchase will be required in the case of a claim.

Swiss Madison® recommends the installations to be made by a licensed, professional plumber. Swiss Madison® will not be held responsible for any damage or product failure due to improper installation, misuse, or failure to use a licensed professional. Swiss Madison® is not responsible for any removal or installation cost.

This One Year Limited Warranty will be voided if:

- The installation recommendations were not followed.
- The product has been moved from it's initial place of installation.
- The product has been modified.
- The product has been subjected to improper maintenance, abuse, misuse, excessive use of chemicals, accident or other damages.

Swiss Madison® makes no implication that products comply with any or all local building or plumbing codes. It is the consumer's responsibility to determine local code compliance. This warranty extends to the original purchaser and first consumer.

Swiss Madison® is not liable for any incidental, consequential or special damages associated with the return, replacement, installation or use of your product. This includes freight costs, labor, travel time, lost profit, home damages and other contingent liabilities and costs (including, without limitation, costs associated with experts, investigations, analyses, attorneys and other professionals and services).

The Swiss Madison® warranty is a comprehensive and explicit limit of liability, and all items outside of it are not addressable by or the responsibility of Swiss Madison®. Certain states have variances regarding implied warranties and in those situations we remain fully compliant.

In the case of any questions or a claim contact us directly at 1-434-MADISON (623-4766).

WARNING: Content may contain sharp and other possibly harmful pieces and may cause hazard to children and adults, Swiss Madison® is not responsible in any way for personal damage.

Swiss Madison
well made forever

www.swissmadison.com
19 Stults Rd, Dayton, NJ 08810
1-434-623-4766
info@swissmadison.com

#SwissMadison 